

Remote Bank Selection

Cable type

Bank No.	Green	Rose	Yellow
0	0	0	0
1	0	0	1
2	0	1	0
3	0	1	1
4	1	0	0
5	1	0	1
6	1	1	0
7	1	1	1

Connector type

Bank No.	No. 2 pin
0	0
1	1

Connector type can select only 1 and 2 by remote selection.
(Function select by button is 8 banks.)

0	NPN	Open or connect to +V
	PNP	Open or connect to 0V
1	NPN	Connect to 0V
	PNP	Connect to +V

L.ON/ D.ON

Color mode

- L.ON Output is active when matched
- D.ON Output is active when un-matched

Mark mode

- L.ON Output is active for high reflection
- D.ON Output is active for low reflection

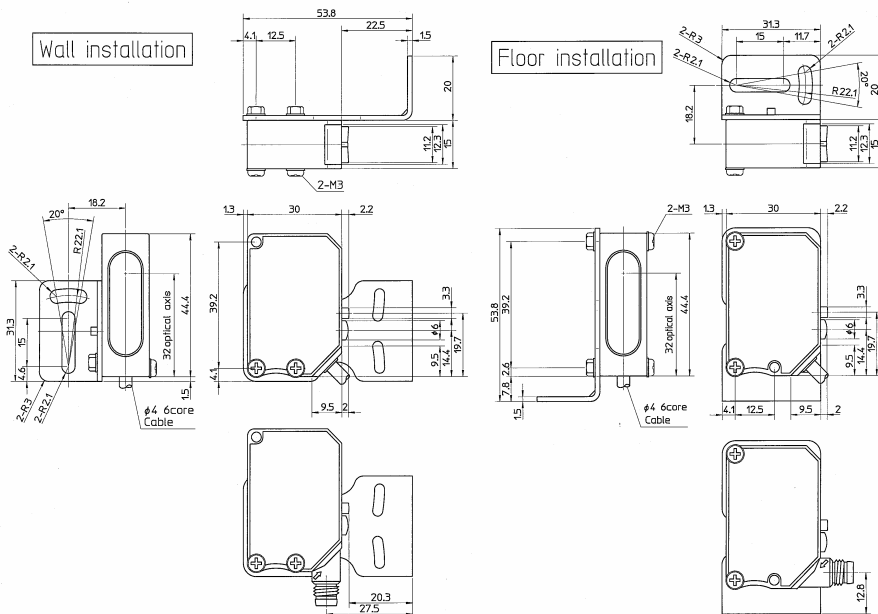
When 2 point teach, the 1st selected color will be ON.

Key lock

Press both Up and Down button simultaneously for more than 2 sec.
(Same procedure for unlock.)

Dimensions

Unit: mm



Specifications and equipment are subject to change without any obligations on the part of manufacture.

For more information, questions and comments regarding products, please contact us below.

Manufactured and sold by :

OPTEX FA OPTEX FA CO., LTD.

607-8085 Kyoto, Yamashina,Takehanadonomaecho 46-1, JAPAN
Tel : +81-(0)75-594-8123
Fax : +81-(0)75-594-8124